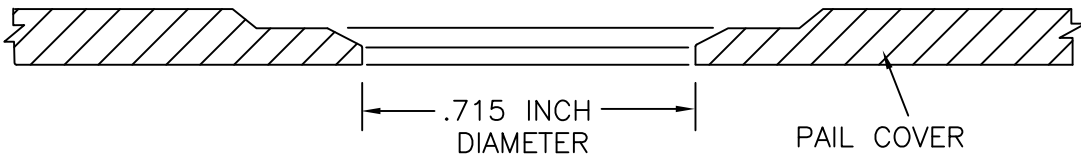
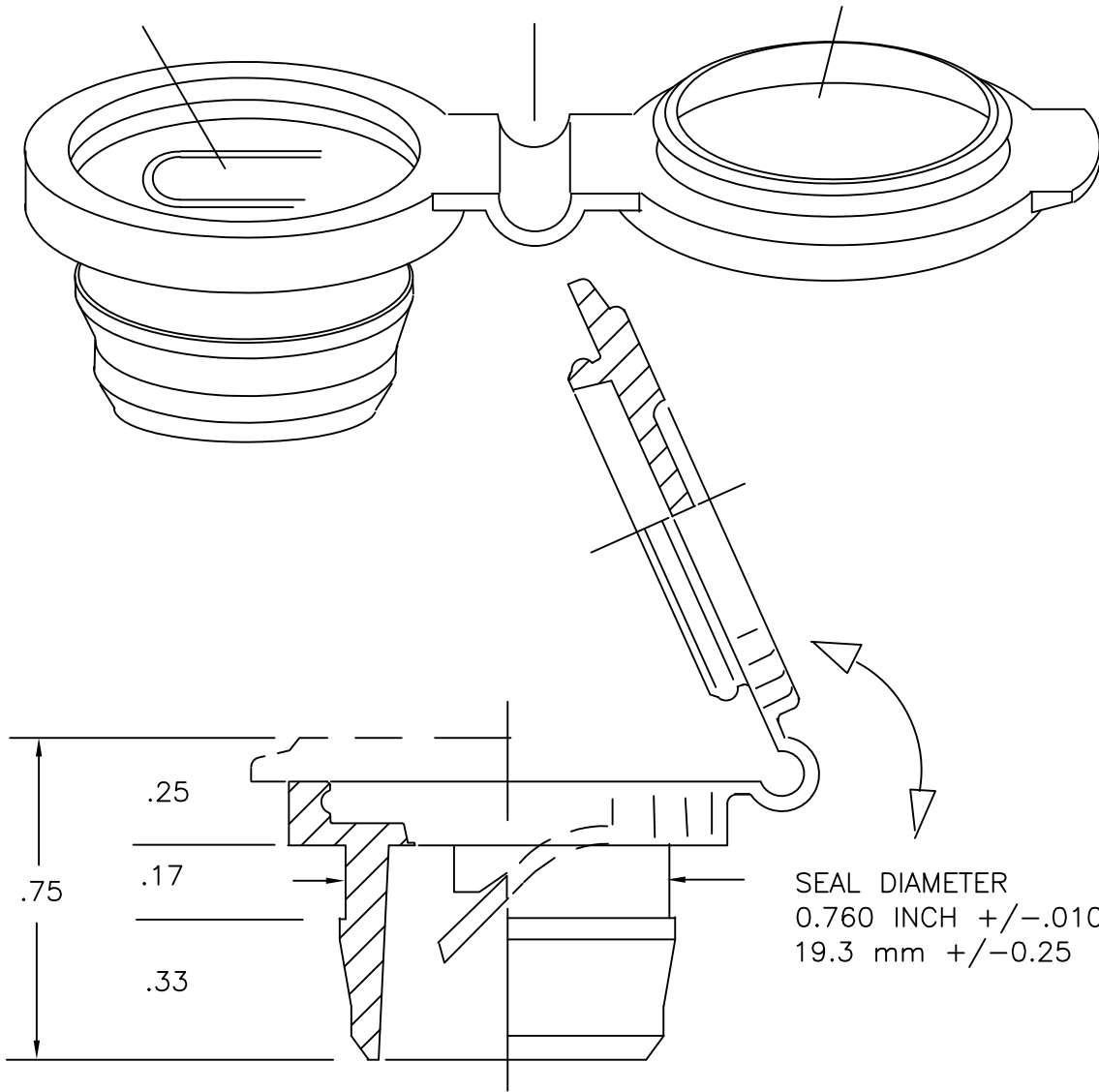


BREAKABLE AIR VENT

HINGE

RE-SEALABLE CAP



US DESIGN D514,935S  
GB DESIGN 3106785

REV 3 11-09 ADDED DESIGN REGISTRATION

REV 2 2/06 REDUCE HEIGHT ABOVE COVER FROM 0.40 TO 0.25 INCH

REV 1 1/05 ADD 0.050 TAPERED EDGE

REV 0 8/04 ISSUED NEW APC-6 PLUG VENT

APC Products Limited  
CANADA www.pailclosures.com

APC-6 PLUG VENT  
& COVER OPENING

EXHIBIT 9-6.1 DRAWN BY R. STURK

SCALE 2.3:1 DRAWING AD9-6.1