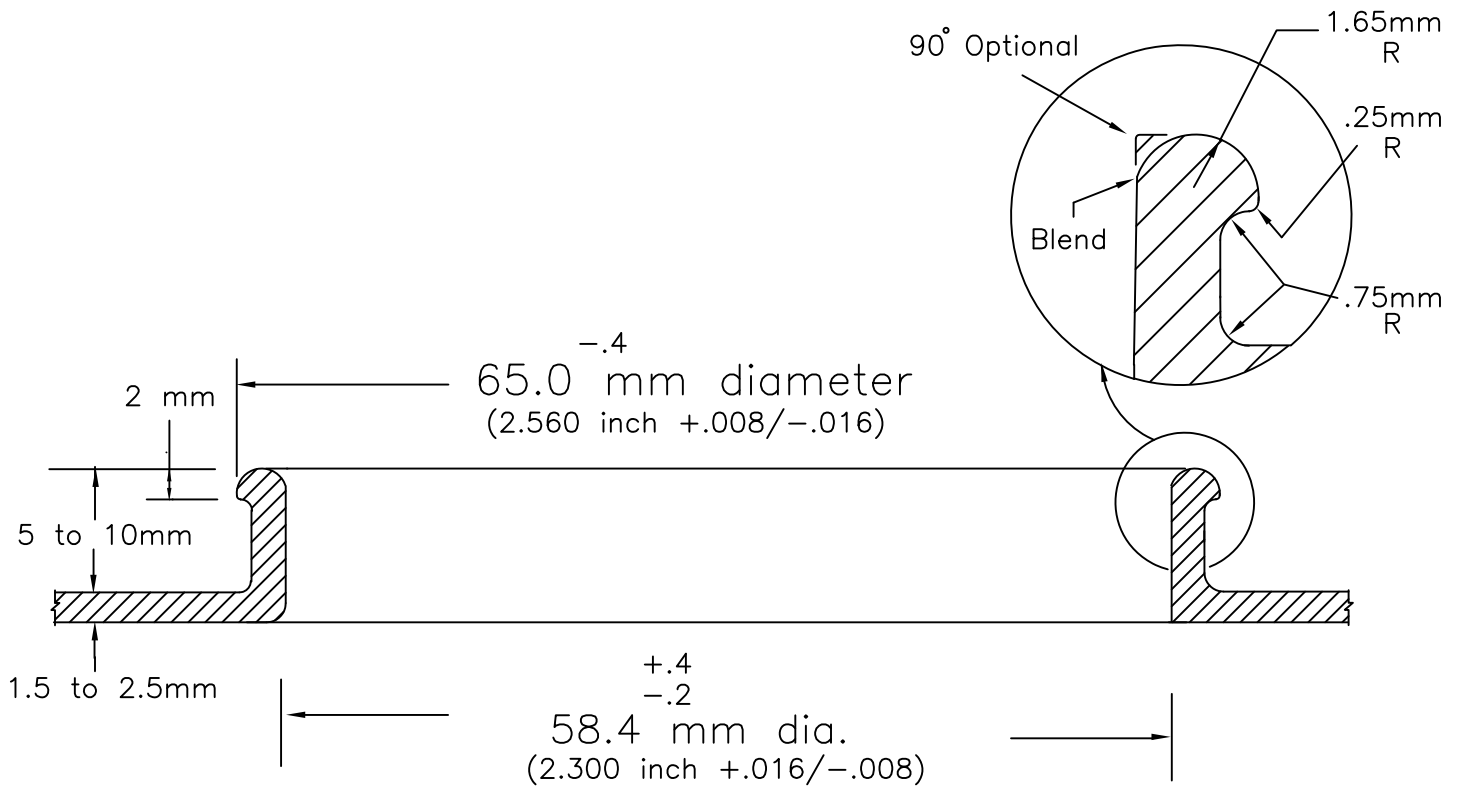


US Design 612,236 S  
Mexico Design 31970

SEE DRAWING AD9-4.2 FOR DIMENSIONS  
ON COVER OPENING

REV 3 11-11	HANDLE FOLD AND LATCH	APC Products Limited CANADA      www.pailclosures.com
REV 2 7-07	CHANGED DRAWING NUMBER FROM AD9-4.5 TO AD9-4.1	
REV 1 11-03	ADDED PATENT NUMBERS	APC-4L PLASTIC PAINT CAP
REV 0 7-02	DRAWING ISSUED	
EXHIBIT 9-4.1	DRAWN BY R. STURK	SCALE 1:1      DRAWING AD9-4.1



NOTE: MAXIMUM OVALITY = 2 mm

		APC Products Limited CANADA      www.pailclosures.com	
REV 3 7-07	ISSUED NEW COVER OPENING DRAWING	APC-1, APC-2 & APC-4 COVER OPENING	
REV 2 1-99	INCREASE MAX. OVALITY ADDED NOTE ON BEAD HEIGHT		
EXHIBIT 9-2.4	DRAWN BY R. STURK	SCALE 2:1	DRAWING AD9-2.4