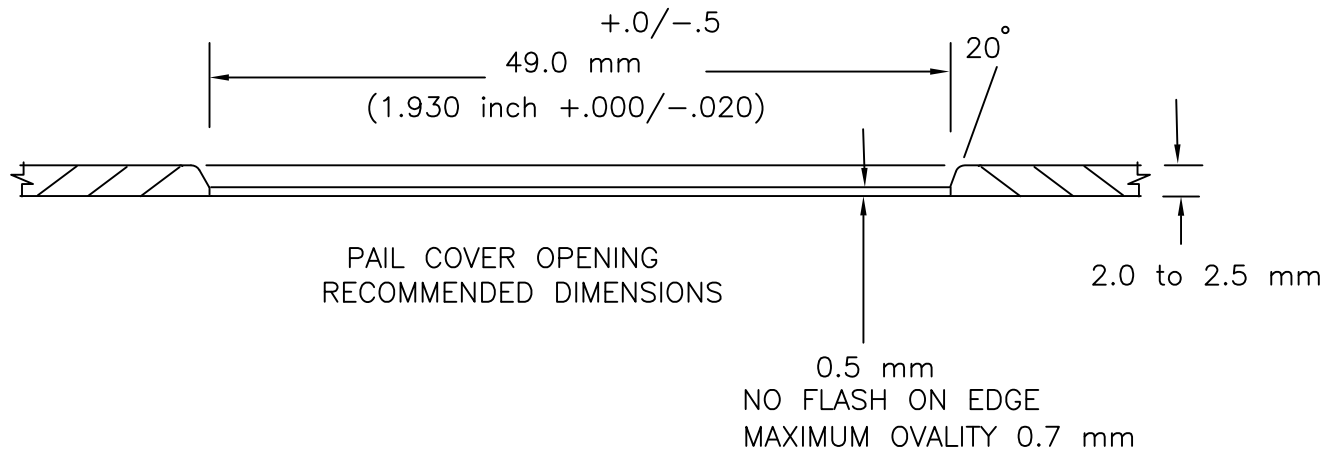
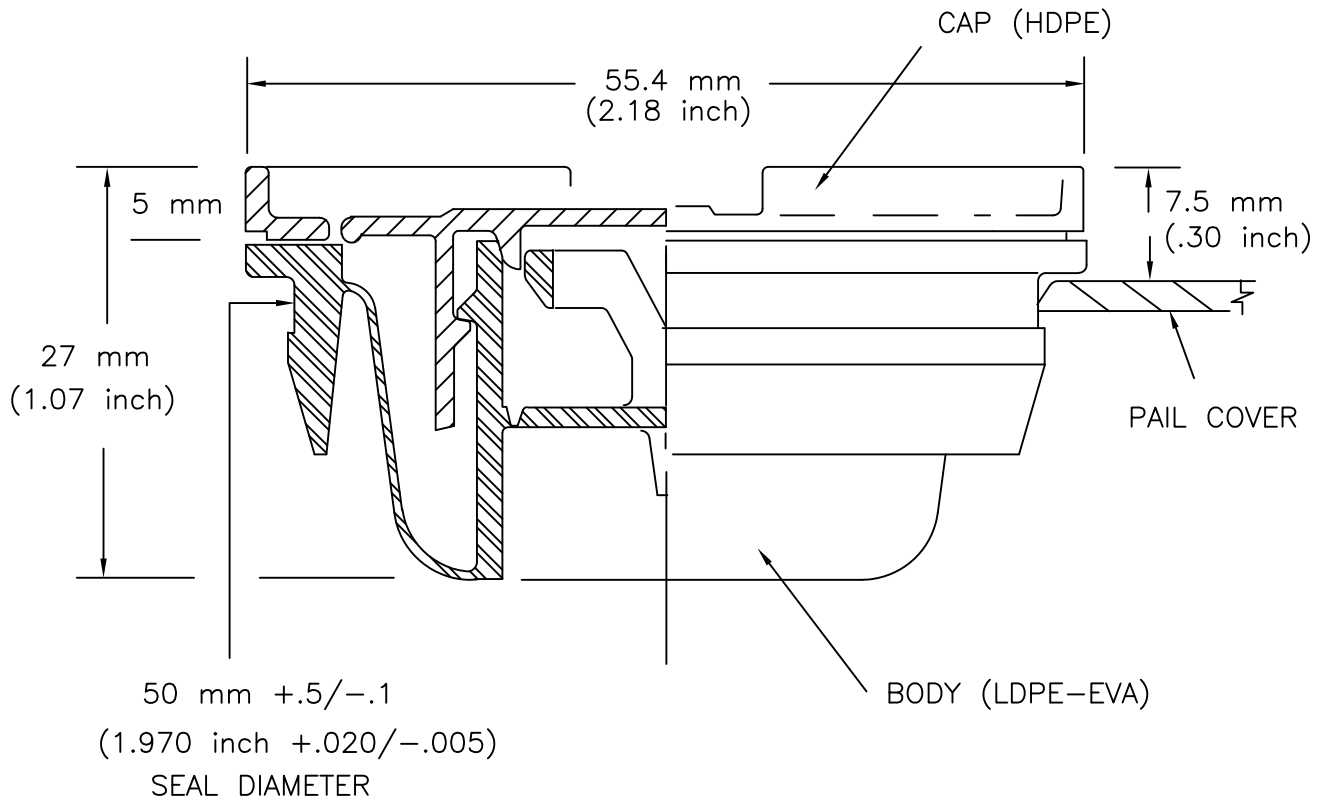


	APC Products Limited CANADA www.pailclosures.com
REV 3 11-05 TALLER CAP BAILS	
REV 2 REMOVE TABS FROM BAILS	
REV1 5-97 ADD EXHIBIT NO & REVISION	APC-3 PLASTIC PAIL CLOSURE
EXHIBIT 9-3.2 DRAWN BY R. STURK	SCALE 1:1 DRAWING AD9-3.2



REV 6 11-09 ADD "CAP" AND "BODY"

REV 5 12-05 TALLER CAP BAIL, L SHAPED

REV 4 1-04 REMOVED TABS FROM CAP BAILS

REV 3 5-99 CHANGE BODY SKIRT ANGLE TO 12 DEGREES FOR EASIER INSERTION

EXHIBIT 9-3.3 DRAWN BY R. STURK

APC Products Limited
CANADA www.pailclosures.com

APC-3 CLOSURE ASSEMBLY
& COVER OPENING

SCALE 2:1 DRAWING AD9-3.3