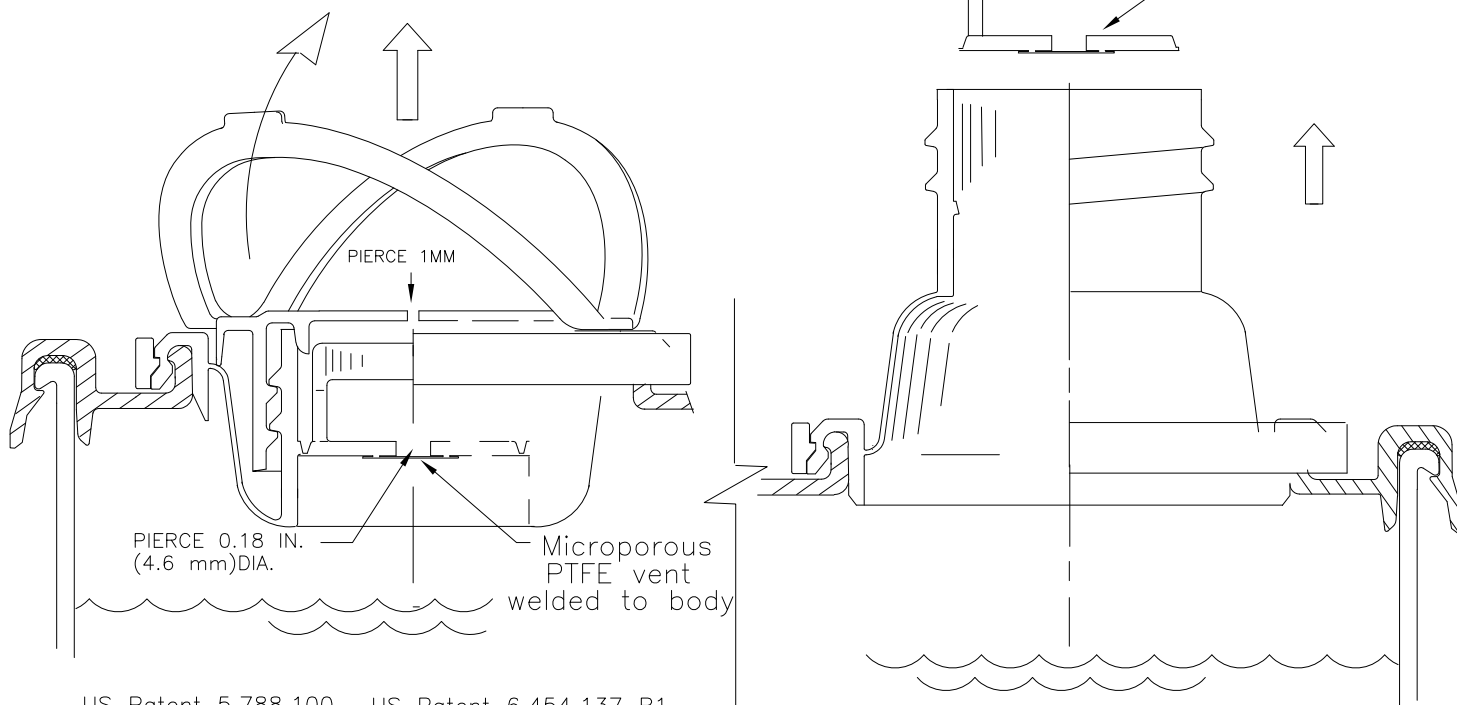


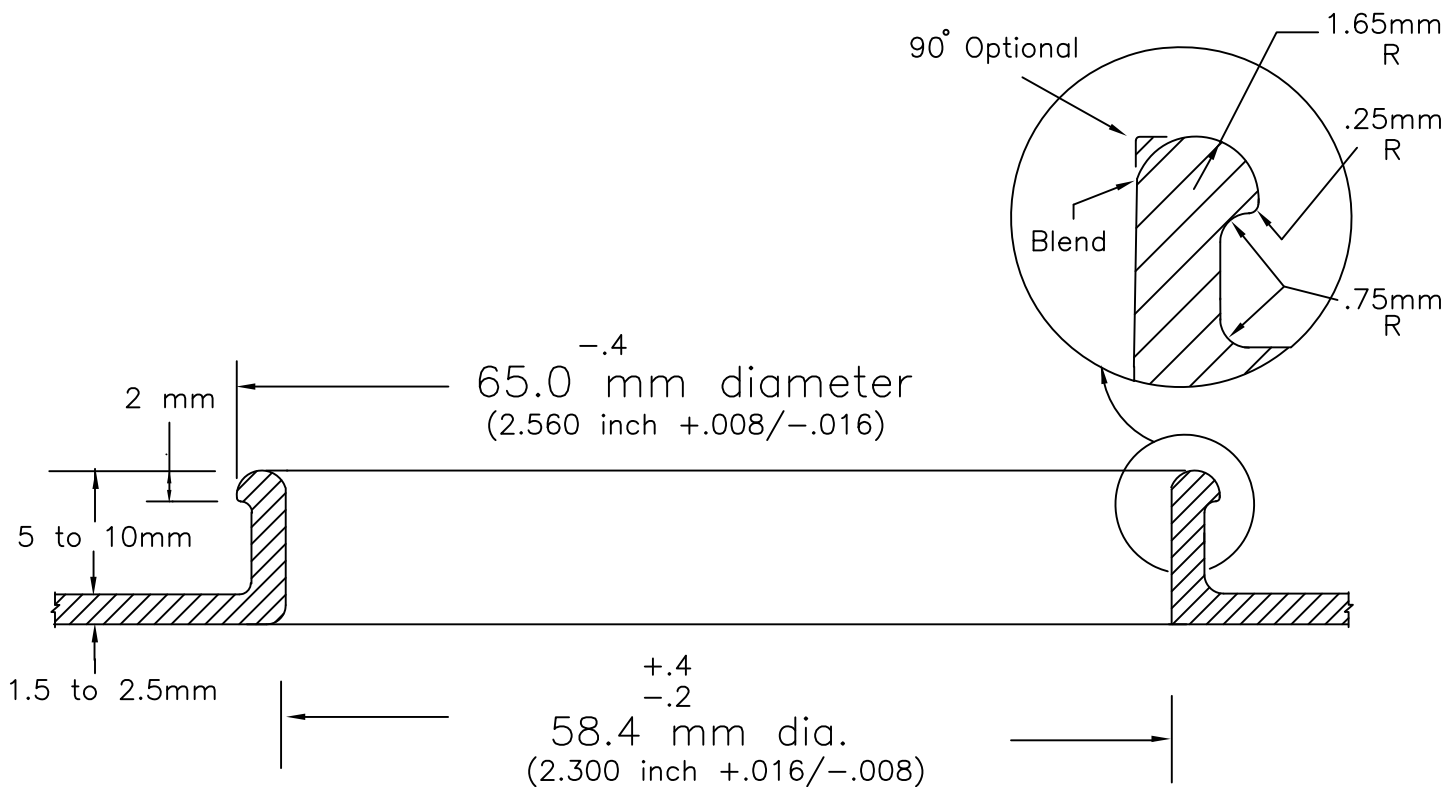
APC-25-MV (standard) fits 6 mm minimum bead height
 APC-25-MV-NP fits 5 mm minimum bead height



US Patent 5,788,100 US Patent 6,454,137 B1
 Cdn Patent 2,134,378

REV 6 5-17	ADDED APC-25-MV-NP REMOVED APC-27-MV
REV 4 11-09	SHOW APC-25 BODY 5 NOTCHES ADD "CAP" AND "BODY"
REV 3 2/05	ADDED APC-2-AG ANTI GLUG OPTION
REV 2 1/02	POLYTETRAFLUOROETHYLENE (PTFE) MICROPOROUS VENT WELDED TO BODY
EXHIBIT 9-2-MV	DRAWN BY R. STURK

APC Products Limited CANADA www.pailclosures.com	
APC-2-MV CLOSURE WITH MICROPOROUS VENT	
SCALE 1:1	DRAWING AD9-2-MV



NOTE: MAXIMUM OVALITY = 2 mm

		APC Products Limited CANADA www.pailclosures.com	
REV 3 7-07	ISSUED NEW COVER OPENING DRAWING	APC-1, APC-2 & APC-4 COVER OPENING	
REV 2 1-99	INCREASE MAX. OVALITY ADDED NOTE ON BEAD HEIGHT		
EXHIBIT 9-2.4	DRAWN BY R. STURK	SCALE 2:1	DRAWING AD9-2.4