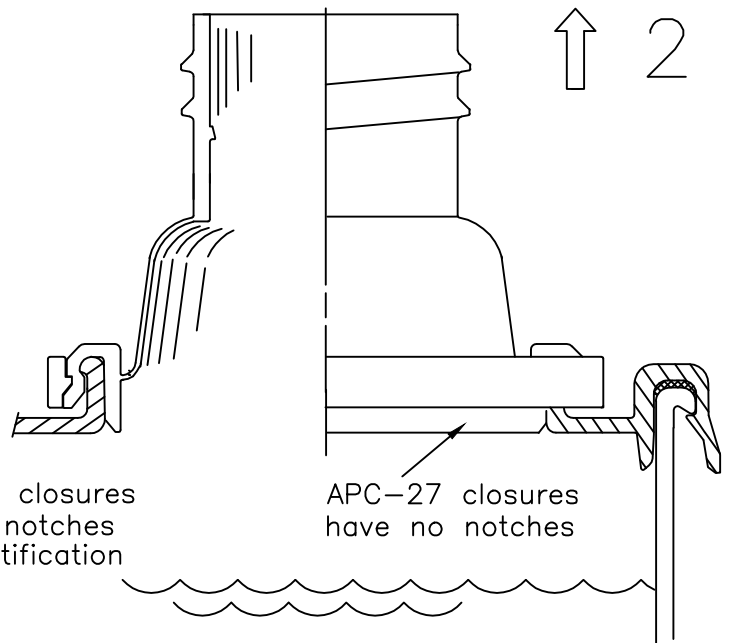
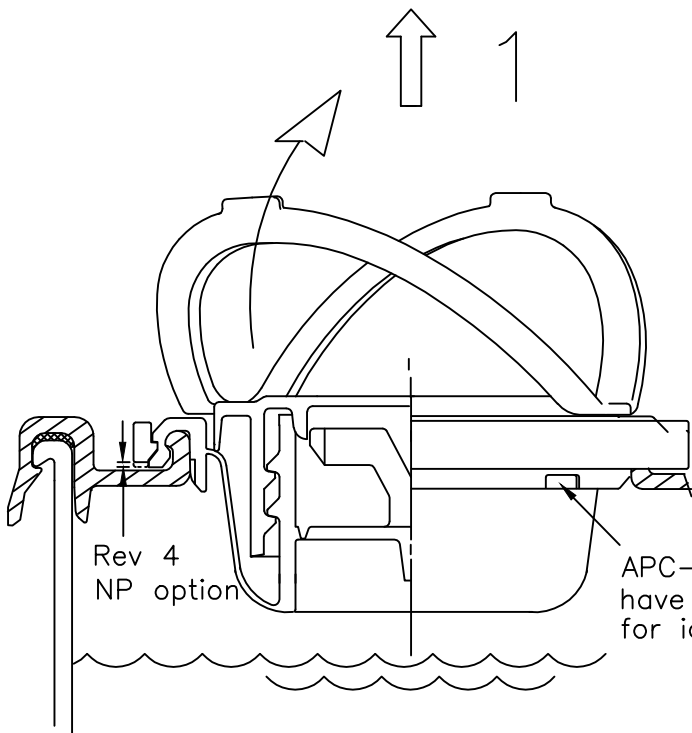
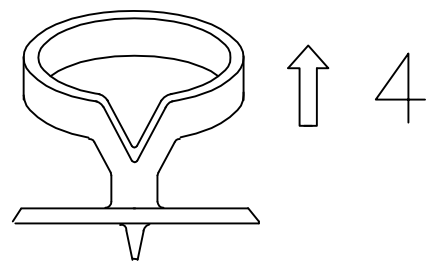
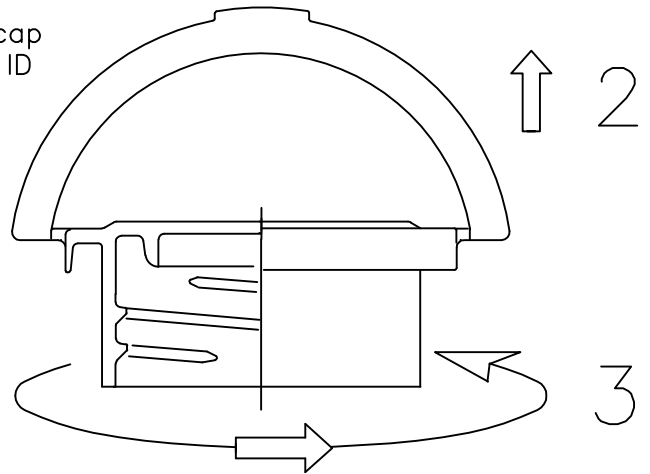
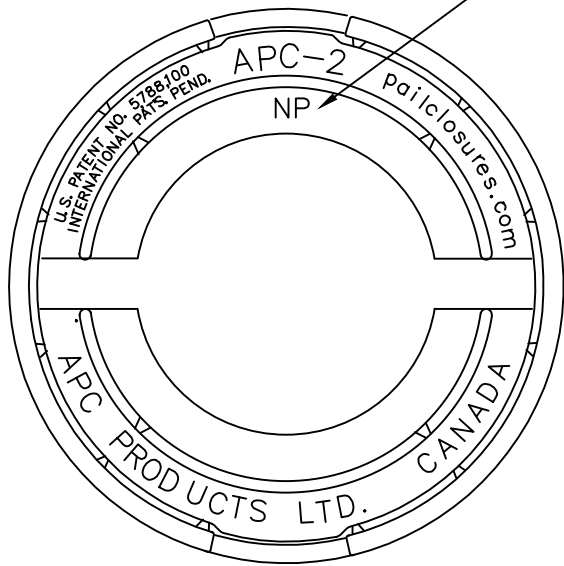
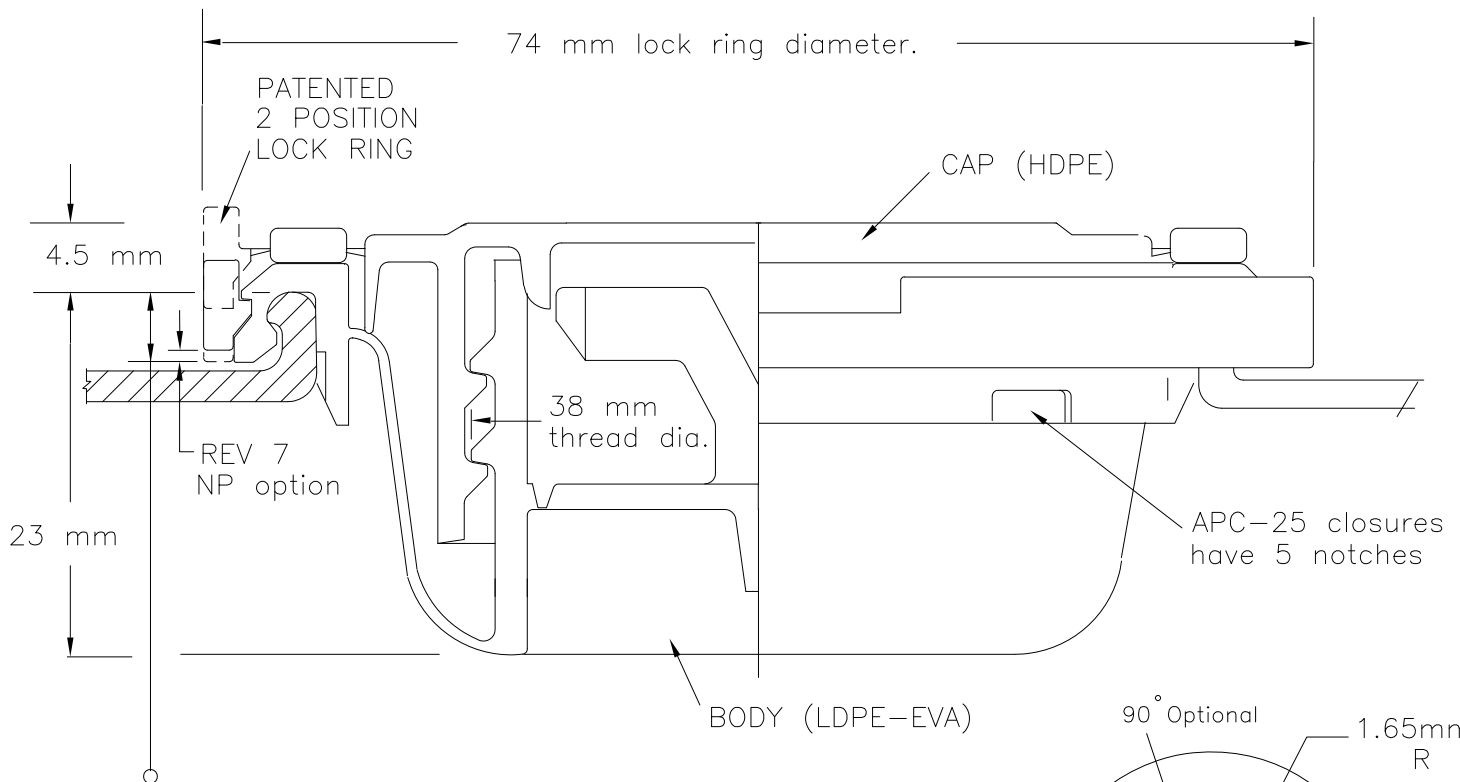


Rev 4
Optional NP cap
engraved for ID



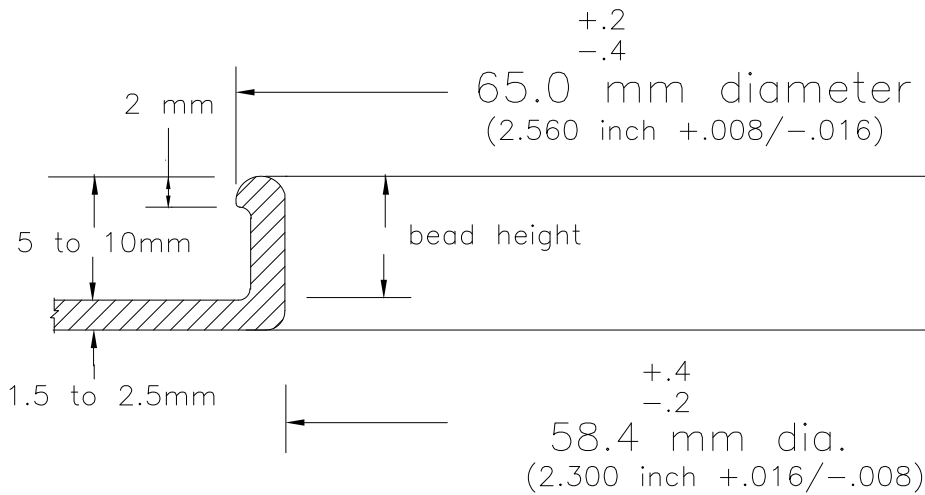
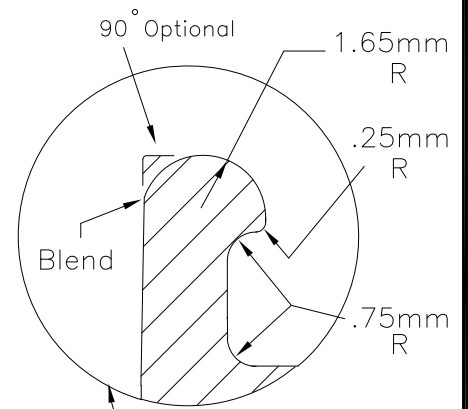
US Patent 5,788,100
CDN Patent 2,134,378

REV 4 1/15	"NP" CAP .030 OFF LOCK RING	APC Products Limited CANADA www.pailclosures.com
REV 3 7/02	CHANGE TITLE FROM CLOSURE USE TO PLASTIC PAIL CLOSURE	
REV 2 1/99	REINFORCE BAIL HINGES	APC-2 PLASTIC PAIL CLOSURE
REV 1 12/98	ADD WEATHERTIGHT CAP SEAL	
EXHIBIT 9-2.2	DRAWN BY R. STURK	SCALE 1:1 DRAWING AD9-2.2



APC-2 closures have three sizes to fit various cover bead heights:

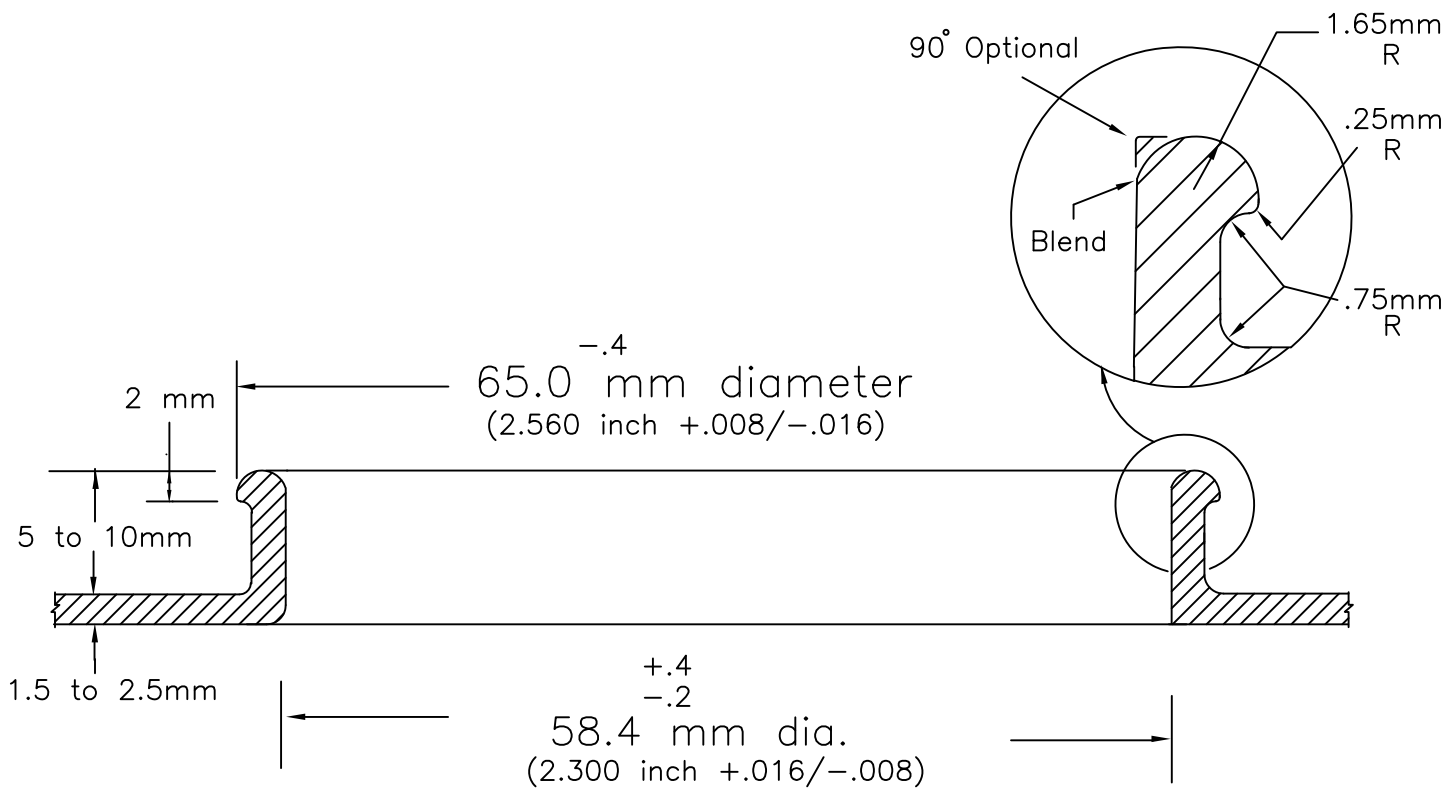
- APC-25-NP fit 5 mm minimum bead height (NP cap option)
- APC-25 fit 6 mm minimum bead height (standard size)
- APC-27 fit 7 mm minimum bead height (27 body option)



US Patent 5,788,100
Cdn Patent 2,134,378

NOTE: MAXIMUM OVALITY = 2 mm

REV 8 5-17	APC-25 fits 6 mm bead height	APC Products Limited CANADA www.pailclosures.com
REV 7 1-15	NEW PROFILE "NP" LOCK RING .030 INCH MORE TRAVEL	
REV 6 11-09	SHOW APC-25 BODY 5 NOTCHES ADD "CAP" AND "BODY"	APC-2 CLOSURE ASSEMBLY & COVER OPENING
REV 5 2-05	ADDED OPTIONAL ANTI GLUG TABS	
EXHIBIT 9-2.3	DRAWN BY R. STURK	SCALE 2:1 DRAWING AD9-2.3



NOTE: MAXIMUM OVALITY = 2 mm

		APC Products Limited CANADA www.pailclosures.com	
REV 3 7-07	ISSUED NEW COVER OPENING DRAWING	APC-1, APC-2 & APC-4 COVER OPENING	
REV 2 1-99	INCREASE MAX. OVALITY ADDED NOTE ON BEAD HEIGHT		
EXHIBIT 9-2.4	DRAWN BY R. STURK	SCALE 2:1	DRAWING AD9-2.4