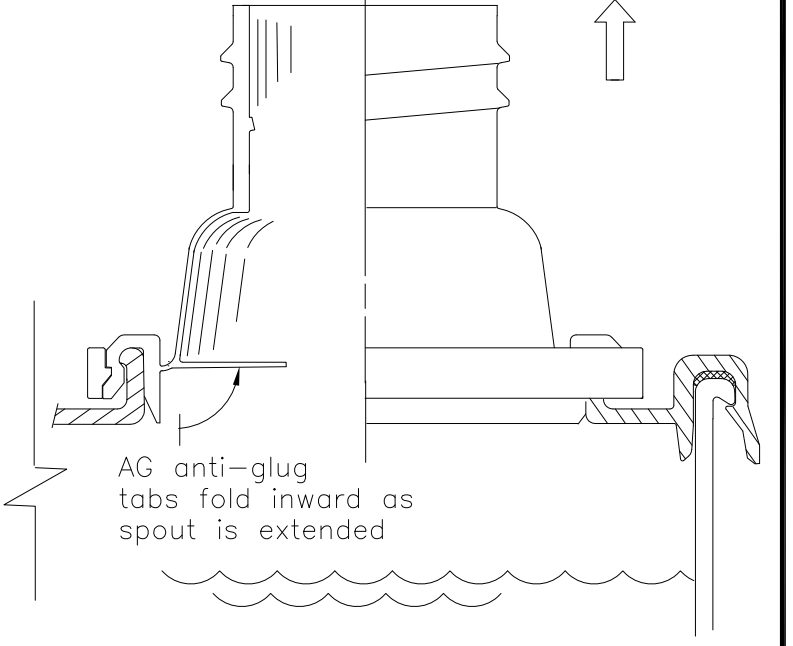
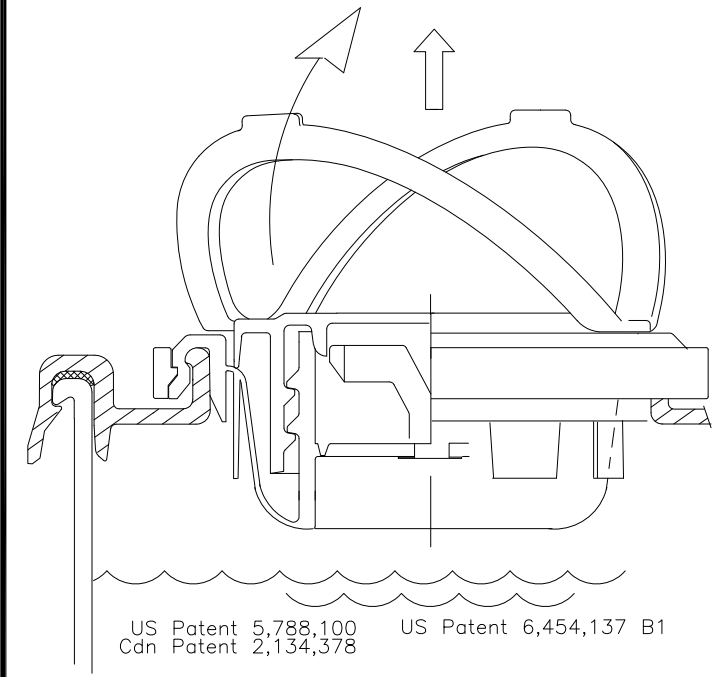
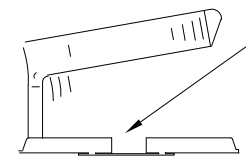


APC-25-AG-MV (standard) fits 6 mm minimum bead height
 APC-25-AG-MV-NP fits 5 mm minimum bead height



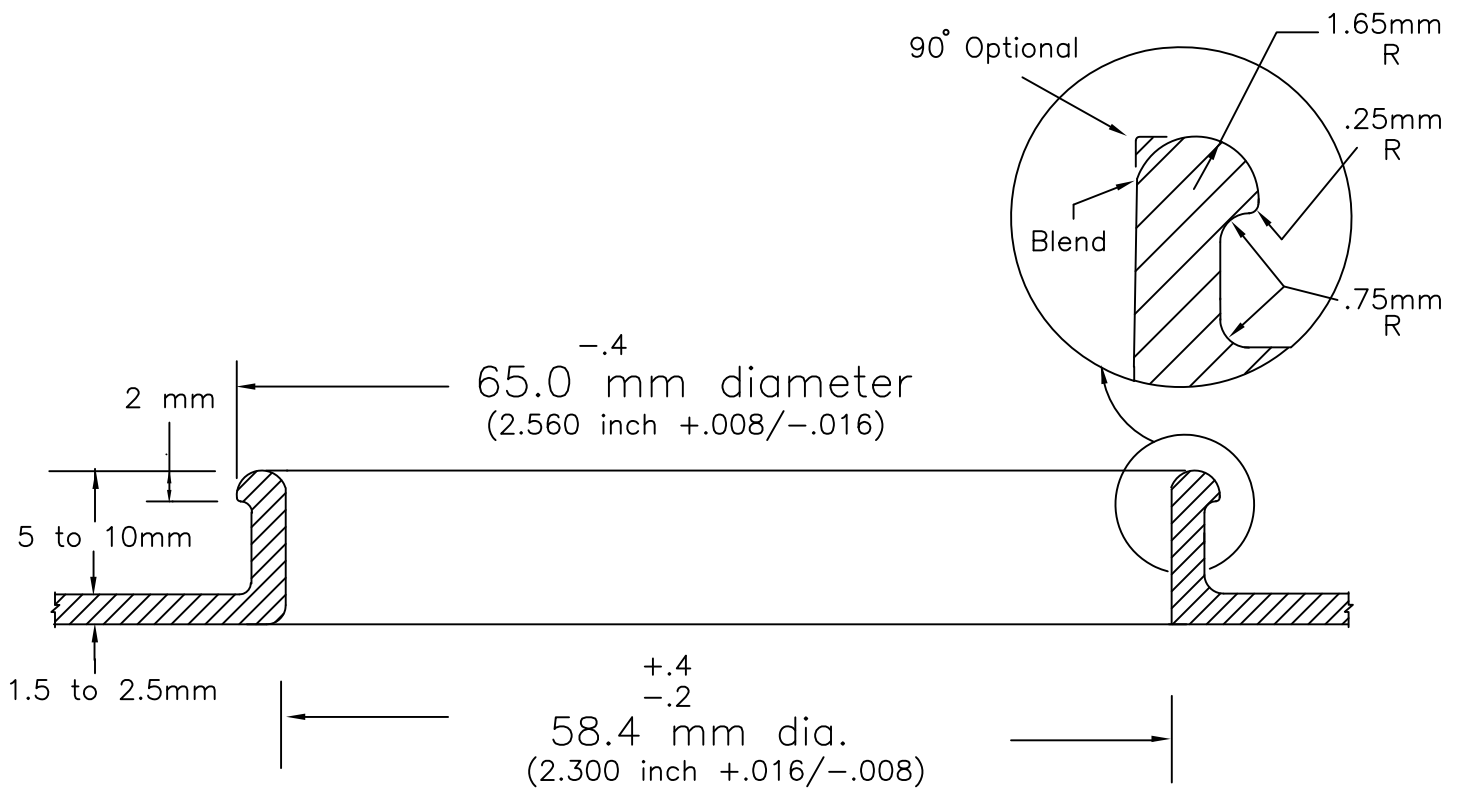
US Patent 5,788,100 US Patent 6,454,137 B1
 Cdn Patent 2,134,378

REV 2 5-17	ADDED APC-25-AG-MV-NP
REV 1 6/13	APC-25-AG-MV IS ONLY SIZE AVAILABLE (APC-27-AG-MV OBSOLETE)
REV 0 11-09	ISSUED DRAWING
EXHIBIT 9-2-AG-MV	DRAWN BY R. STURK

APC Products Limited
 CANADA www.pailclosures.com

APC-2-AG-MV ANTI GLUG CLOSURE
 WITH MICROPOROUS VENT

SCALE 2:1 DRAWING AD9-2-AG-MV



NOTE: MAXIMUM OVALITY = 2 mm

		APC Products Limited CANADA www.pailclosures.com	
REV 3 7-07	ISSUED NEW COVER OPENING DRAWING	APC-1, APC-2 & APC-4 COVER OPENING	
REV 2 1-99	INCREASE MAX. OVALITY ADDED NOTE ON BEAD HEIGHT		
EXHIBIT 9-2.4	DRAWN BY R. STURK	SCALE 2:1	DRAWING AD9-2.4