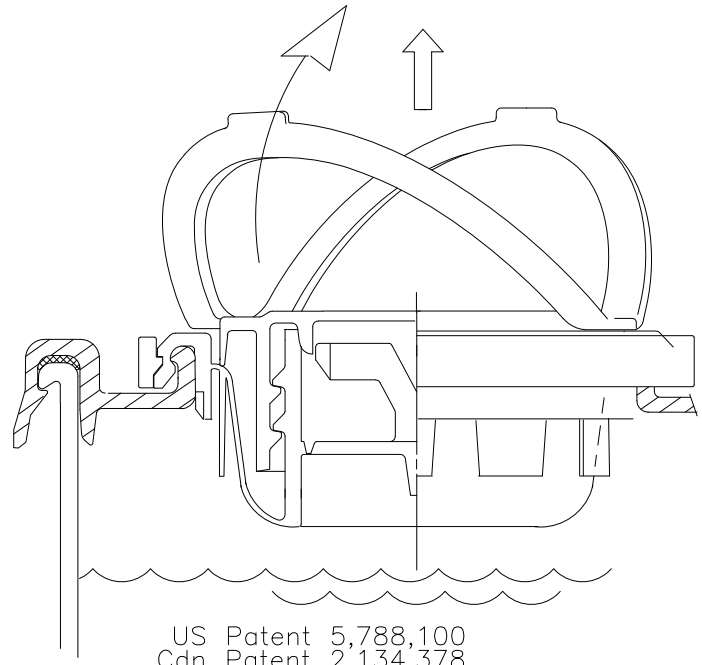
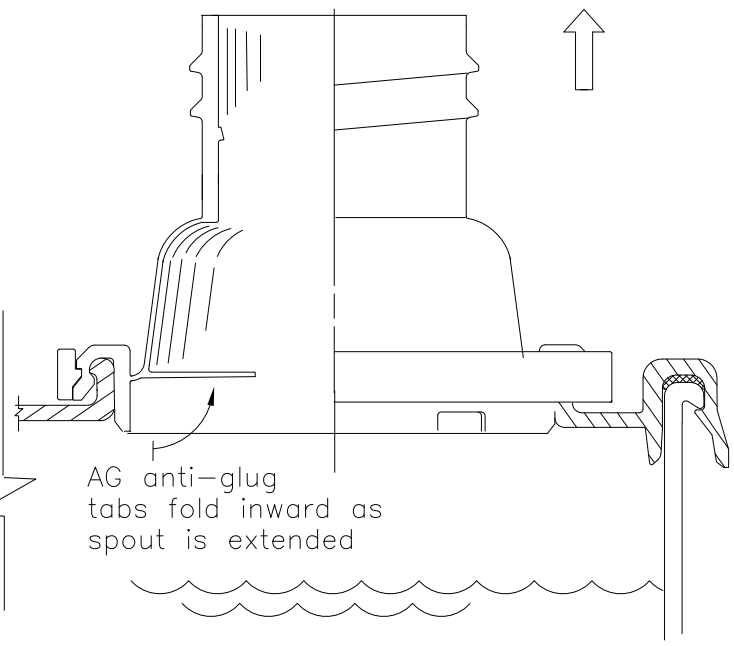
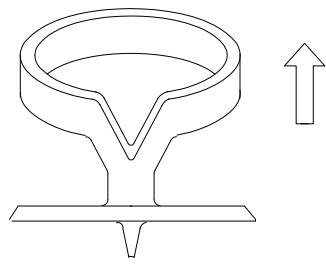


APC-25-AG (standard) fits 6 mm minimum bead height  
 APC-25-AG-NP fits 5 mm minimum bead height



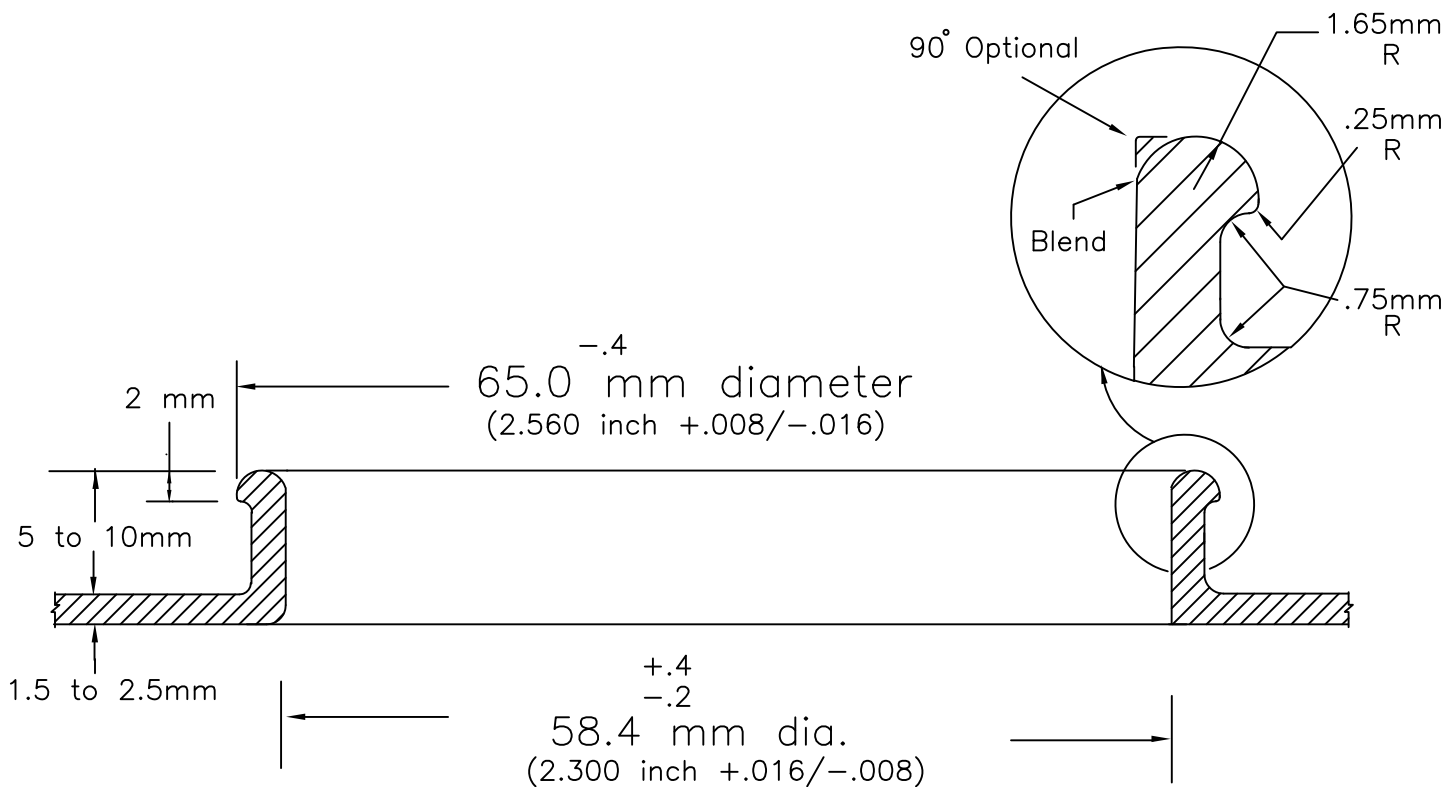
US Patent 5,788,100  
 Cdn Patent 2,134,378

REV 8 5-17	ADDED APC-25-AG-NP
REV 7 6/13	APC-25-AG IS ONLY SIZE AVAILABLE (APC-27-AG OBSOLETE)
REV 6 11-09	SHOW APC-25-AG BODY 5 NOTCHES ADD "CAP" AND "BODY"
EXHIBIT 9-2-AG	DRAWN BY R. STURK

APC Products Limited  
 CANADA [www.pailclosures.com](http://www.pailclosures.com)

APC-25-AG ANTI GLUG CLOSURE

SCALE 2:1 DRAWING AD9-2-AG



NOTE: MAXIMUM OVALITY = 2 mm

		APC Products Limited CANADA <a href="http://www.pailclosures.com">www.pailclosures.com</a>	
REV 3 7-07	ISSUED NEW COVER OPENING DRAWING	APC-1, APC-2 & APC-4 COVER OPENING	
REV 2 1-99	INCREASE MAX. OVALITY ADDED NOTE ON BEAD HEIGHT		
EXHIBIT 9-2.4	DRAWN BY R. STURK	SCALE 2:1	DRAWING AD9-2.4