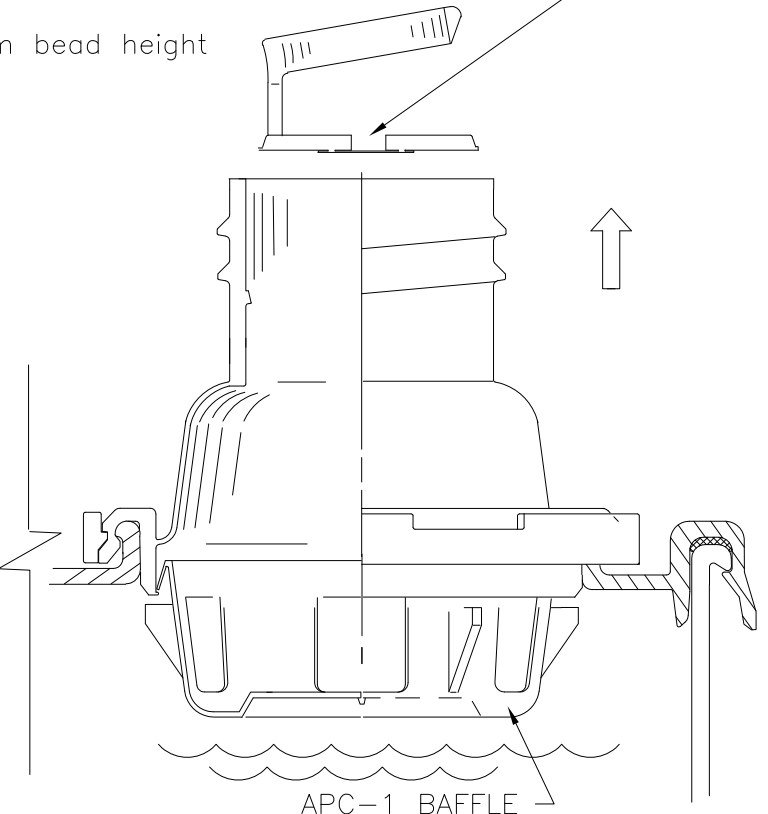
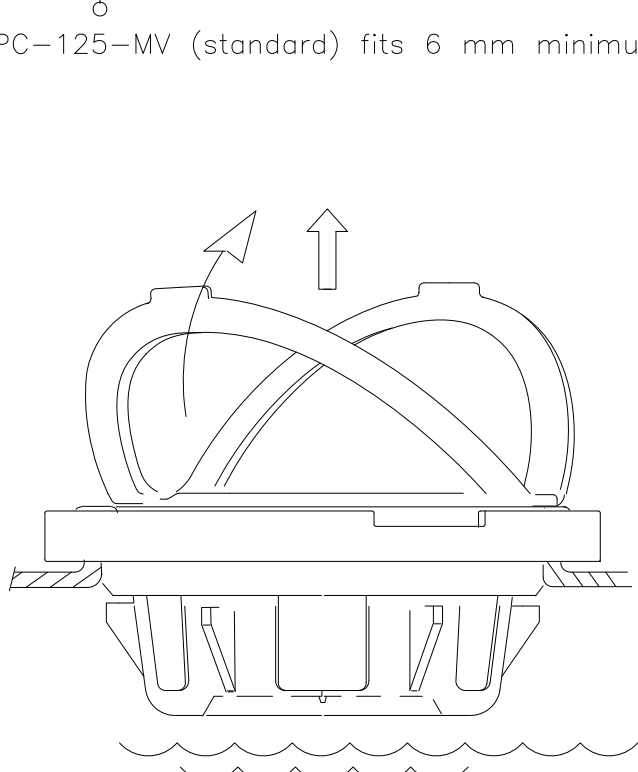


APC-125-MV (standard) fits 6 mm minimum bead height



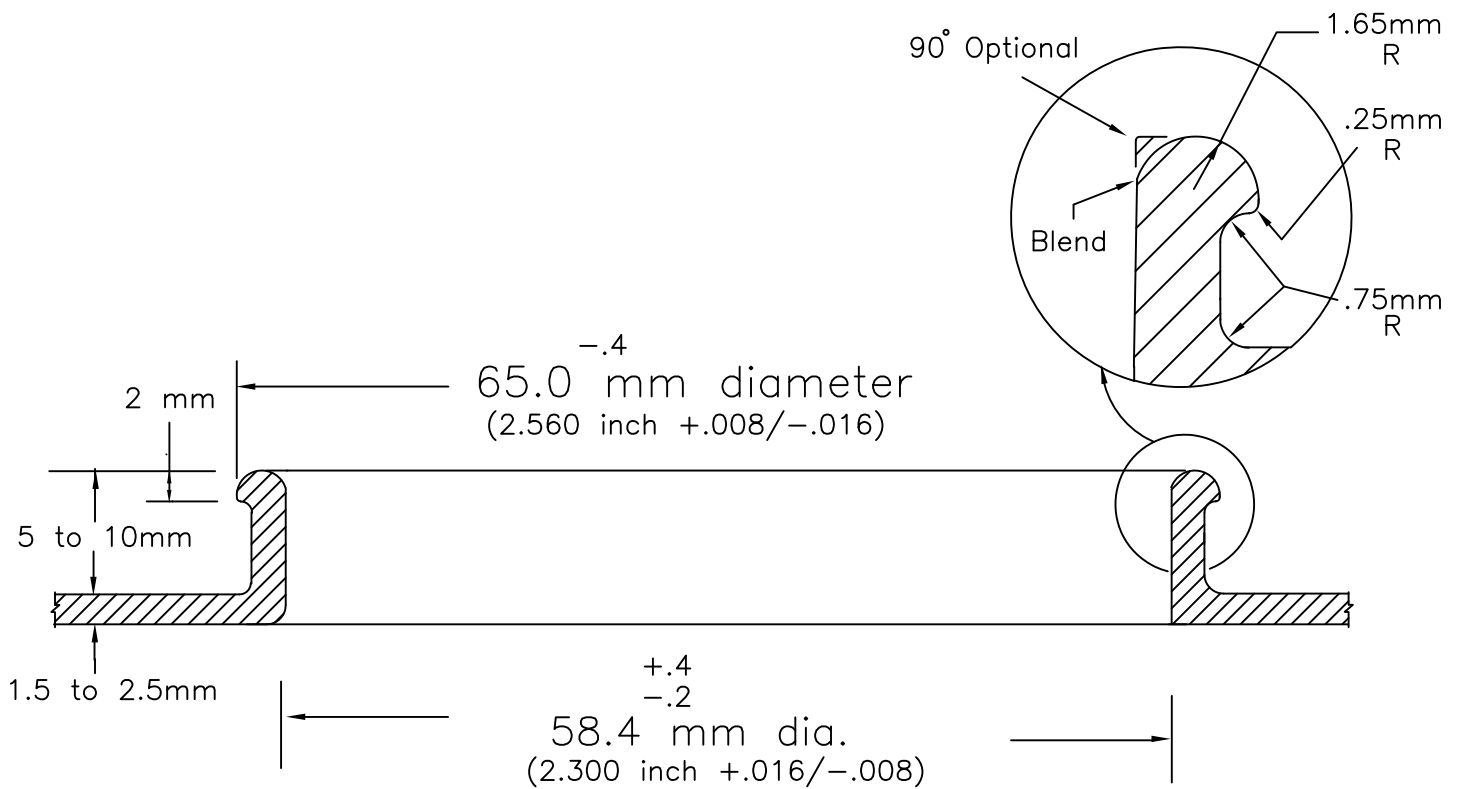
US Patent 5,788,100 US Patent 6,454,137 B1
 Cdn Patent 2,134,378

REV 7 5-17	REMOVED APC-127-MV
REV 6 11-09	SHOW CLOSURE IN NESTED AND EXTENDED POSITION
REV 5 7-07	RENAMED APC-1-MV JANITORIAL
EXHIBIT 9-1-MV	DRAWN BY R. STURK

APC Products Limited
 CANADA www.pailclosures.com

APC-125-MV JANITORIAL
 PAIL CLOSURE

SCALE 2:1 DRAWING AD9-1-MV



NOTE: MAXIMUM OVALITY = 2 mm

		APC Products Limited CANADA www.pailclosures.com	
REV 3 7-07	ISSUED NEW COVER OPENING DRAWING	APC-1, APC-2 & APC-4 COVER OPENING	
REV 2 1-99	INCREASE MAX. OVALITY ADDED NOTE ON BEAD HEIGHT		
EXHIBIT 9-2.4	DRAWN BY R. STURK	SCALE 2:1	DRAWING AD9-2.4